

# Product datasheet

Specifications



motion servo drive, Lexium 28,  
single and three phase 200...230 V,  
400 W

LXM28AU04M3X

## Main

Range of product	Lexium 28
Product or component type	Motion servo drive
Device short name	LXM28A
Format of the drive	Compact housing
Line current	3.8 A 211.6 % at 220 V, single phase 3.8 A 183.7 % at 220 V, three phase

## Complementary

Network number of phases	Three phase Single phase
[Us] rated supply voltage	220 V (- 10...15 %) for three phase 220 V (- 20...15 %) for single phase
Supply voltage limits	200...255 V three phase 170...255 V single phase
Supply frequency	50/60 Hz - 5...5 %
Network frequency	47.5...63 Hz
EMC filter	Without EMC filter
Continuous output current	2.6 A at 16 kHz
Output current 3s peak	7.8 A at 220 V
Continuous power	400 W at 220 V
Nominal power	0.4 kW at 220 V 16 kHz
Switching frequency	16 kHz
Overvoltage category	III
Maximum leakage current	1.3 mA
Output voltage	<= power supply voltage
Electrical isolation	Between power and control
Type of cable	Shielded motor cable (temperature: 0...55 °C) copper
Electrical connection	Spring terminal, clamping capacity: 0.82...1 mm <sup>2</sup> , AWG 18 (L1-L2) Spring terminal, clamping capacity: 0.82...1 mm <sup>2</sup> , AWG 18 (R, S, T) Spring terminal, clamping capacity: 0.82...1 mm <sup>2</sup> , AWG 18 (U, V, W, PE) Spring terminal, clamping capacity: 0.82...1 mm <sup>2</sup> , AWG 18 (PA/+, PBe)
Discrete input number	8 programmable (CN1) 1 pulse train input (PTI) (CN1) 2 fast capture (CN1) 1 safety function STO (CN9)

<b>Discrete input voltage</b>	24 V DC for logic
<b>Discrete input logic</b>	Positive or negative (CN1)
<b>Discrete output number</b>	5 logic output (CN1) at 12...24 V DC 1 pulse train output (PTO) (CN1)
<b>Discrete output voltage</b>	12...24 V DC
<b>Discrete output logic</b>	Positive or negative (CN1)
<b>Analogue input number</b>	2
<b>Absolute accuracy error</b>	0.1 %
<b>Analogue input type</b>	V_REF voltage analog input: - 10...10 V, impedance: 10 kOhm, resolution: 14 bits T_REF voltage analog input
<b>Control signal type</b>	Servo motor encoder feedback CN2
<b>Protection type</b>	Against reverse polarity: inputs signal Against short-circuits: outputs signal Overcurrent: motor Overvoltage: motor Undervoltage: motor Overheating: motor Overload: motor Overspeed: motor
<b>Safety function</b>	STO (safe torque off), integrated
<b>Safety level</b>	SIL 2 conforming to IEC 61800-5-2: 2007 SIL 2 conforming to IEC 61508-1: 2010 PL d/category 3 conforming to EN/ISO 13849-1: 2008 SIL 2 conforming to EN/ISO 13849-1: 2009/AC SIL 2 conforming to EN 60204-1: 2006 SIL 2 conforming to EN 60204-1: 2009/A1 SIL 2 conforming to EN 60204-1: 2010/AC SIL 2 conforming to IEC 62061: 2012
<b>Communication interface</b>	CANopen, integrated CANmotion, integrated
<b>Connector type</b>	RJ45 (CN4) for CANopen, CANmotion
<b>Method of access</b>	Slave
<b>Transmission rate</b>	250 kbit/s for bus length of 100...250 m for CANopen, CANmotion 500 kbit/s for bus length of 4...100 m for CANopen, CANmotion 1 Mbit/s for bus length of 4 m for CANopen, CANmotion
<b>Number of addresses</b>	1...127 for CANopen, CANmotion
<b>Physical interface</b>	RS485 for Modbus Serial line slave
<b>Status LED</b>	1 LED (red)charge 1 LED (green)RUN 1 LED (red)error
<b>Signalling function</b>	Servo status and fault codes five 7-segment display units
<b>Marking</b>	CSA CE CULus
<b>Type of cooling</b>	Natural convection
<b>Operating position</b>	Vertical
<b>Product compatibility</b>	Servo motor BCH2 (60 mm, 2 motor stacks) at 400 W Servo motor BCH2 (80 mm, 1 motor stacks) at 400 W Servo motor BCH2 (130 mm, 1 motor stacks) at 300 W
<b>Width</b>	55 mm
<b>Height</b>	150 mm
<b>Depth</b>	146 mm
<b>Net weight</b>	1 kg
<b>Output current 3s peak 2</b>	7.8 A at 220 V
<b>Output current 3s peak 3</b>	7.8 A at 220 V

## Environment

Electromagnetic compatibility	Conducted emission - test level: level 3 category C3 conforming to EN/IEC 61800-3
Standards	EN/IEC 61800-5-1
Product certifications	cULus CSA CE
IP degree of protection	IP20
Vibration resistance	3M4 amplitude = 3 mm (f = 9...200 Hz) conforming to IEC 60721-3-3
Shock resistance	10 gn, type I conforming to IEC 60721-3-3
Relative humidity	5...95 % without condensation
Ambient air temperature for operation	0...55 °C
Ambient air temperature for storage	-25...65 °C
Operating altitude	<= 1000 m without derating > 1000...2000 m 1 % per 100 m

## Packing Units

Unit Type of Package 1	PCE
Number of Units in Package 1	1
Package 1 Weight	1.26 kg
Package 1 Height	7.5 cm
Package 1 width	23 cm
Package 1 Length	23.7 cm
Unit Type of Package 2	S03
Number of Units in Package 2	5
Package 2 Weight	7.08 kg
Package 2 Height	30 cm
Package 2 width	30 cm
Package 2 Length	40 cm
Unit Type of Package 3	P06
Number of Units in Package 3	40
Package 3 Weight	66.924 kg
Package 3 Height	80 cm
Package 3 width	80 cm
Package 3 Length	60 cm

## Offer Sustainability

Sustainable offer status	Green Premium product
REACH Regulation	<a href="#">REACH Declaration</a>
REACH free of SVHC	Yes
EU RoHS Directive	Pro-active compliance (Product out of EU RoHS legal scope) <a href="#">EU RoHS Declaration</a>
Mercury free	Yes
RoHS exemption information	<a href="#">Yes</a>
China RoHS Regulation	<a href="#">China RoHS declaration</a>

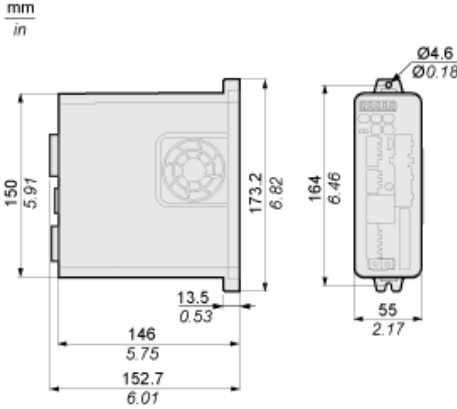
---

<b>Environmental Disclosure</b>	<a href="#">Product Environmental Profile</a>
<b>Circularity Profile</b>	<a href="#">End of Life Information</a>
<b>WEEE</b>	The product must be disposed on European Union markets following specific waste collection and never end up in rubbish bins
<b>PVC free</b>	Yes

---

Dimensions

Dimensions of Drive



Mounting Clearance

---

Mounting Distances and Air Circulation

mm  
in.

