

# Product datasheet

Specifications



## motion servo drive - Lexium 26 - single and three phase 200...230 V - 400 W

LXM26DU04M3X

### Main

Range of product	Easy Lexium 26
Product or component type	Motion servo drive
Device short name	LXM26D
Format of the drive	Compact housing
Line current	3.8 A 211.6 % at 220 V, single phase 3.8 A 183.7 % at 220 V, three phase

### Complementary

Network number of phases	Single phase Three phase
[Us] rated supply voltage	220 V (- 10...15 %) for three phase 220 V (- 20...15 %) for single phase
Supply voltage limits	200...255 V three phase 170...255 V single phase
Supply frequency	50/60 Hz - 5...5 %
Network frequency	47.5...63 Hz
Continuous output current	2.6 A at 16 kHz
Output current 3s peak	7.8 A at 220 V
Continuous power	400 W at 220 V
Nominal power	0.4 kW at 220 V 16 kHz
Switching frequency	16 kHz
Oversoltage category	III
Maximum leakage current	1.3 mA
Output voltage	<= power supply voltage
Electrical isolation	Between power and control
Type of cable	Twisted shielded pairs cable (single or double) (temperature: 0...55 °C)
Electrical connection	Spring terminal, clamping capacity: 0.82...1 mm <sup>2</sup> , AWG 18 (L1-L2) Spring terminal, clamping capacity: 0.82...1 mm <sup>2</sup> , AWG 18 (R, S, T) Spring terminal, clamping capacity: 0.82...1 mm <sup>2</sup> , AWG 18 (U, V, W, PE) Spring terminal, clamping capacity: 0.82...1 mm <sup>2</sup> , AWG 18 (PA/+, PBe)
Tightening torque	PE (ground): 1.4 N.m
Discrete input number	8 programmable (CN1) 1 pulse train input (PTI) (CN1) 2 fast capture (CN1)

<b>Discrete input voltage</b>	24 V DC for logic
<b>Discrete input logic</b>	Positive or negative (CN1)
<b>Discrete output number</b>	5 1
<b>Discrete output type</b>	Logic (CN1) at 12...24 V DC Pulse train output (PTO) (CN1)
<b>Discrete output voltage</b>	12...24 V DC
<b>Discrete output logic</b>	Positive or negative (CN1)
<b>Analogue input number</b>	2
<b>Absolute accuracy error</b>	0.1 %
<b>Analogue input type</b>	V_REF voltage analog input: - 10...10 V, impedance: 10 kOhm, resolution: 12 bits T_REF voltage analog input
<b>Control signal type</b>	Servo motor encoder feedback CN2
<b>Protection type</b>	Against reverse polarity: inputs signal Against short-circuits: outputs signal Overcurrent: motor Overvoltage: motor Undervoltage: motor Overheating: motor Overload: motor Overspeed: motor
<b>Physical interface</b>	RS485 for Modbus Serial line slave
<b>Status LED</b>	1 LED (red)charge
<b>Signalling function</b>	Servo status and fault codes five 7-segment display units
<b>Marking</b>	CE CULus CSA
<b>Type of cooling</b>	Natural convection
<b>Operating position</b>	Vertical
<b>Product compatibility</b>	Servo motor BCH2 (60 mm, 2 motor stacks) Servo motor BCH2 (80 mm, 1 motor stacks) Servo motor BCH2 (130 mm, 1 motor stacks)
<b>Width</b>	55 mm
<b>Height</b>	150 mm
<b>Depth</b>	146 mm
<b>Net weight</b>	1 kg

## Environment

<b>EMC filter</b>	Without EMC filter
<b>Electromagnetic compatibility</b>	Conducted emission - test level: level 3 category C3 conforming to EN/IEC 61800-3
<b>Standards</b>	EN/IEC 61800-5-1
<b>Product certifications</b>	CSA cULus CE
<b>IP degree of protection</b>	IP20
<b>Vibration resistance</b>	3M4 amplitude = 3 mm (f = 9...200 Hz) conforming to IEC 60721-3-3
<b>Shock resistance</b>	10 gn, type I conforming to IEC 60068-2-27
<b>Relative humidity</b>	5...95 % without condensation
<b>Ambient air temperature for operation</b>	0...55 °C
<b>Ambient air temperature for storage</b>	-25...65 °C
<b>Operating altitude</b>	<= 1000 m without derating

---

## Packing Units

Unit Type of Package 1	PCE
Number of Units in Package 1	1
Package 1 Weight	1.26 kg
Package 1 Height	7.5 cm
Package 1 width	23 cm
Package 1 Length	23.7 cm

---

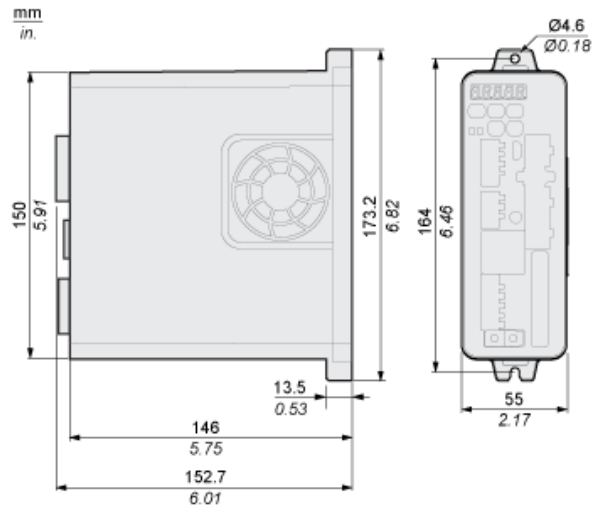
## Offer Sustainability

REACH Regulation	<a href="#">REACH Declaration</a>
REACH free of SVHC	Yes
EU RoHS Directive	Pro-active compliance (Product out of EU RoHS legal scope) <a href="#">EU RoHS Declaration</a>
Mercury free	Yes
RoHS exemption information	<a href="#">Yes</a>
China RoHS Regulation	<a href="#">China RoHS declaration</a>
WEEE	The product must be disposed on European Union markets following specific waste collection and never end up in rubbish bins
PVC free	Yes

---

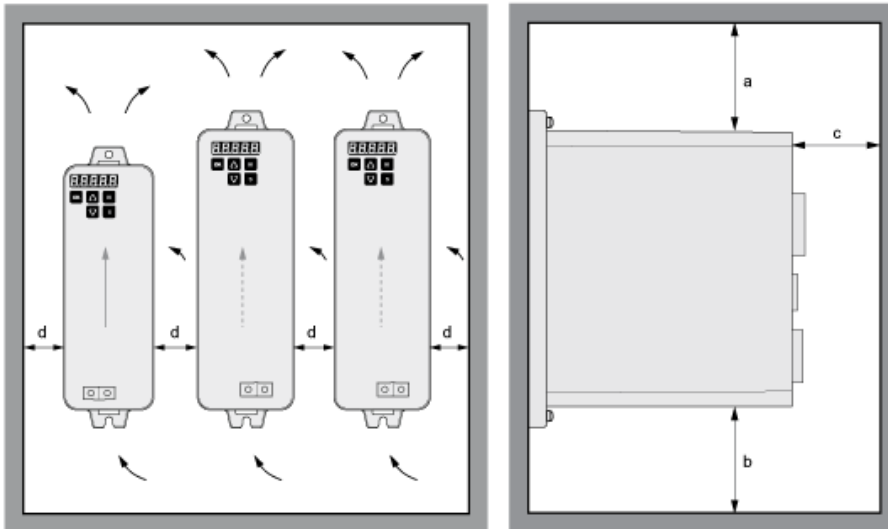
Dimensions

Servo Drive Dimensions



**Mounting and Clearance**

**Clearance**



Distance	Unit	Value
Free space <b>a</b> above the device	mm (in)	$\geq 50$ $\geq 1.97$
Free space <b>b</b> below the device	mm (in)	$\geq 50$ $\geq 1.97$
Free space <b>c</b> in front of the device <sup>(1)</sup>	mm (in)	$\geq 60$ $\geq 2.36$
Free space <b>d</b> between devices	mm (in)	$\geq 15$ $\geq 0.59$