

Product data sheet

Specifications



Touch panel screen, Harmony STO & STU, 3.4"™ 4 monochrome G/O/R

HMISTO511

! Discontinued on: 27 December 2019

! To be end-of-service on: 28 December 2023

! Discontinued - Service only

Main

Range of product	Harmony STO & STU
Product or component type	Touch panel screen
Software designation	Vijeo Designer
Operating system	Harmony
Processor name	CPU RISC

Complementary

Display size	3.4 inch
Display type	Backlit monochrome STN LCD
Background colour	Green, orange and red
Display resolution	200 x 80 pixels
Touch panel	Analogue
Backlight lifespan	10000 hours with red 50000 hours with orange 50000 hours with green
Brightness	8 levels
Contrast	16 levels via touch panel
Character font	Japanese (ANK, Kanji) Korean Chinese (simplified Chinese) ASCII Taiwanese (traditional Chinese)
[Us] rated supply voltage	24 V DC +/- 20 %
Inrush current	30 A
Local signalling	1 LED (green) for normal operation
Power consumption in W	5 W
Number of pages	Limited by internal memory capacity
Processor frequency	333 MHz
Memory description	Application memory 16 MB Back up of data 128 kB
Integrated connection type	1 USB 2.0 type mini B 1 USB 2.0 type A power supply - removable screw terminal block

Supply	External source
Realtime clock	Access to the PLC real-time clock
Downloadable protocols	Uni-TE Third party protocols Modbus
Fixing mode	By 2 spring clips, mounting on 1.6...5 mm thick panel
Enclosure material	PPT
Marking	CE
Height	77.5 mm
Width	116.5 mm
Depth	36.5 mm

Environment

Immunity to microbreaks	3 ms
Standards	EN 61131-2 IEC 61000-6-2 UL 508 UL 1604 FCC Class A
Product certifications	C-Tick CE UL Class 1 Division 2 T5 GOST UL Class 1 Division 2 T4A cULus
Ambient air temperature for operation	0...50 °C
Ambient air temperature for storage	-20...60 °C
Relative humidity	0...90 % without condensation
Operating altitude	<= 2000 m
IP degree of protection	IP20 (rear panel) conforming to IEC 60529 IP65 (front panel) conforming to IEC 60529
NEMA degree of protection	NEMA 4X front panel (indoor use)
Shock resistance	15 gn for 11 ms conforming to IEC 60068-2-27
Vibration resistance	+/- 3.5 mm (f = 5...9 Hz) conforming to IEC 60068-2-6 1 gn (f = 9...150 Hz) conforming to IEC 60068-2-6
Electromagnetic compatibility	Resistance to radiated electromagnetic fields - test level: 10 V/m conforming to IEC 61000-4-3

Packing Units

Unit Type of Package 1	PCE
Number of Units in Package 1	1
Package 1 Weight	360 g
Package 1 Height	9 cm
Package 1 width	13 cm
Package 1 Length	18.5 cm

Offer Sustainability

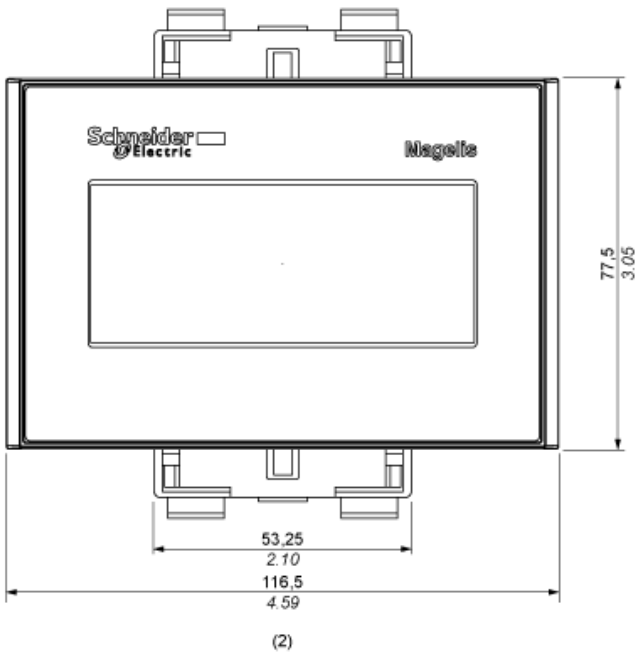
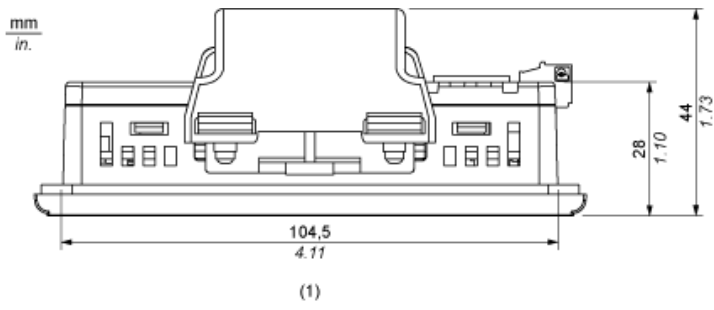
REACH Regulation	REACH Declaration
REACH free of SVHC	Yes
EU RoHS Directive	Pro-active compliance (Product out of EU RoHS legal scope) EU RoHS Declaration

Mercury free	Yes
RoHS exemption information	Yes
China RoHS Regulation	China RoHS declaration
WEEE	The product must be disposed on European Union markets following specific waste collection and never end up in rubbish bins
California proposition 65	WARNING: This product can expose you to chemicals including: Lead and lead compounds, which is known to the State of California to cause cancer and birth defects or other reproductive harm. For more information go to www.P65Warnings.ca.gov

Contractual warranty

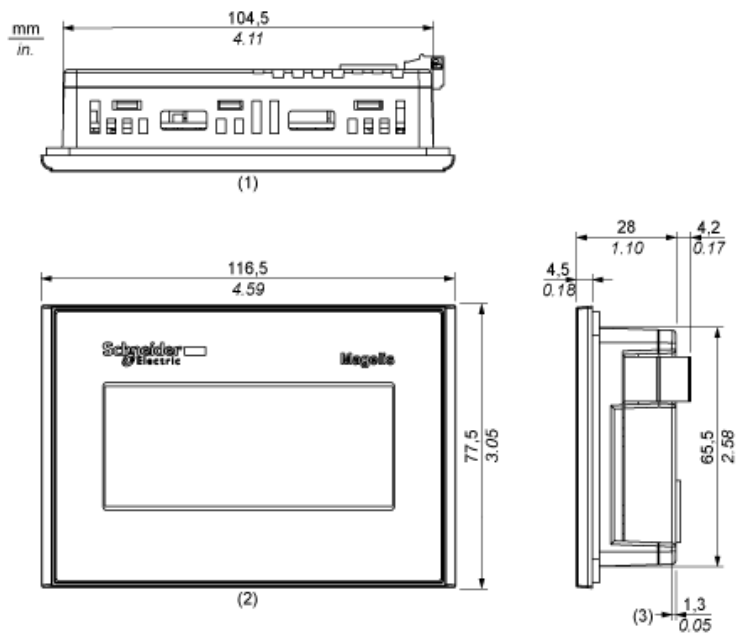
Warranty	18 months
-----------------	-----------

Dimensions with Spring Clips



- (1) Top
- (2) Front

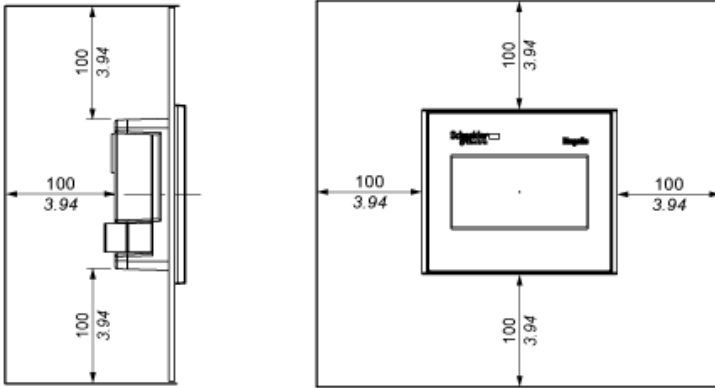
Dimensions without Spring Clips



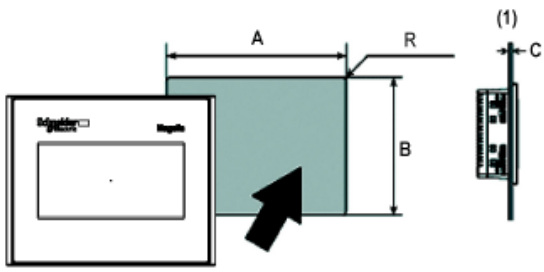
- (1) Top
- (2) Front
- (3) Right Side

Clearance

mm
in.



Panel Cut-out Dimensions



(1) Panel

A (mm)	A (in.)	B (mm)	B (in.)	C (mm) Spring Clips	C (in.) Spring Clips	R (mm)	R (in.)
+1 105 -0	+0.04 4.13 -0	+1 66 -0	+0.04 2.59 -0	1.5 to 6.0	0.059 to 0.236	2.0 to 3.0	0.078 to 0.118